

# EHPWH Anode Rod

## REPLACEMENT INSTRUCTIONS

Kit Name	Anode Rod - 50Gal & 65 Gal	Anode Rod - 80Gal
Kit Part Number	107000679	107000680
Compatible Rinnai Products	REHP Series- 50 Gal & 65 Gal Models	REHP Series- 80 Gal Models

**WARNING** Failure to correctly assemble the components according to these instructions may result in electric shock, injury, or death.

### CAUTION

To protect yourself from harm, follow the steps below before proceeding.

- Antistatic gloves must be worn.
- Disconnect the electrical power supply by turning off the electricity at the circuit breaker.
- Turn off the water by closing manual ball valves for the hot and cold water connections at the appliance.
- Drain the tank completely before removing a bad anode rod.

## Items Inside Product Box

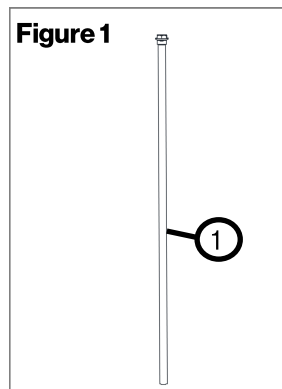
Before installation, please make sure all parts are located inside the product box.

Table 1

Item #	Item	Qty
1	Anode Rod	1

### TOOLS/MATERIALS REQUIRED

- Phillips Head Screw Driver
- Flat Head Screw Driver
- 1 inch Socket Wrench (15 inch long)
- Thread Sealant Tape OR Pipe Joint Compound



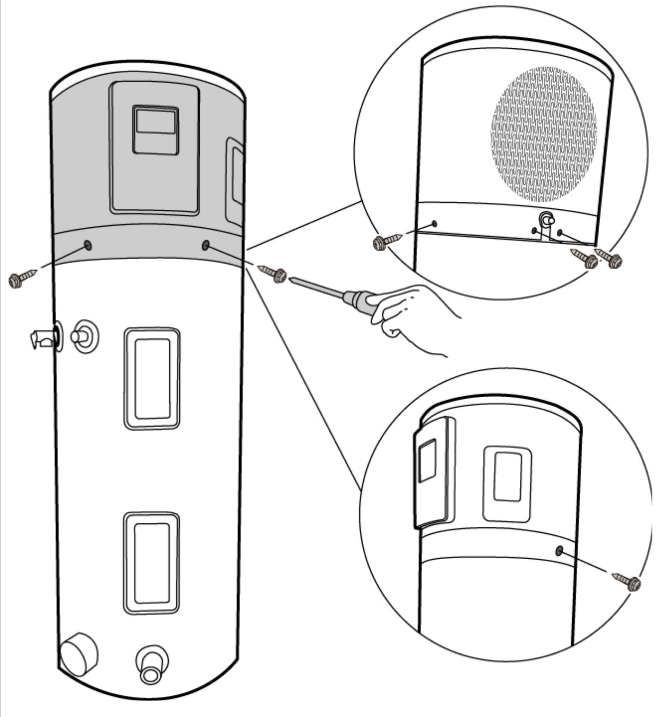
## Instructions

1. Antistatic gloves must be worn to protect yourself from harm.
2. Disconnect the electrical power supply by turning off the electricity at the circuit breaker.
3. Turn off the water by closing manual valves for the hot and cold water connections at the appliance.
4. Drain the tank completely by connecting a drain hose to drain valve and opening the drain valve. Open the T&P valve and allow the atmospheric air to get in the tank while draining.
5. Use a Phillips head screw driver to remove 6 screws located around the appliance securing top cover to the appliance (Figure 2). Keep the removed 6 screws to be reinstalled in step 27.
6. Use a flat head screw driver to remove the display box front cover. To remove, slide the flat head of screw driver into the slots located on the bottom side of cover and twist the driver to remove (Figure 3). Keep front cover safe to be reinstalled in step 26.

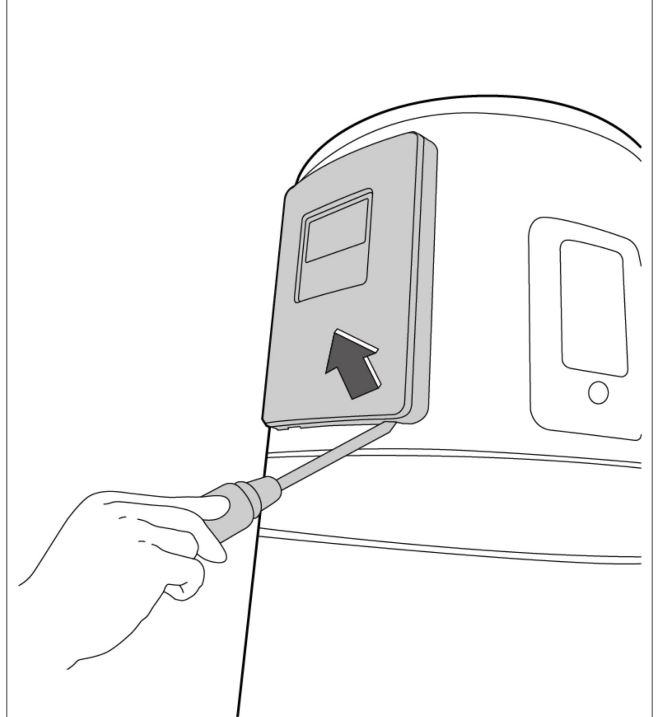
**IMPORTANT**

When following the instructions to remove display box front cover, ensure not to apply unnecessary force. If applied, it may break the snap pins located on the display front cover and prevent it from assembling it back. Ensure to twist the screw driver softly and the cover should open without any damage.

**Figure 2**



**Figure 3**

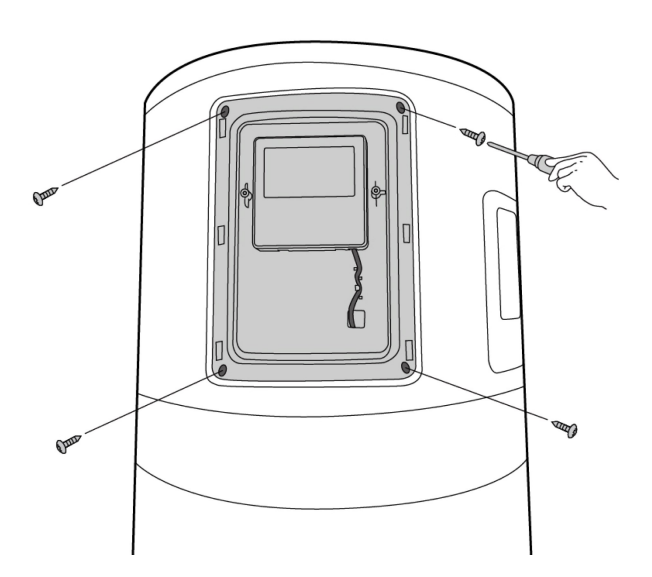


6. Use a Phillips head screw driver to remove 4 screws securing the display box rear cover (Figure 4). Keep removed 4 screws secured to be reinstalled in step 25.
7. Use a flat head screw driver to remove the display box. To remove, slide the flat head of screw driver into the slots located on the bottom side of box and twist the driver to remove (Figure 5).

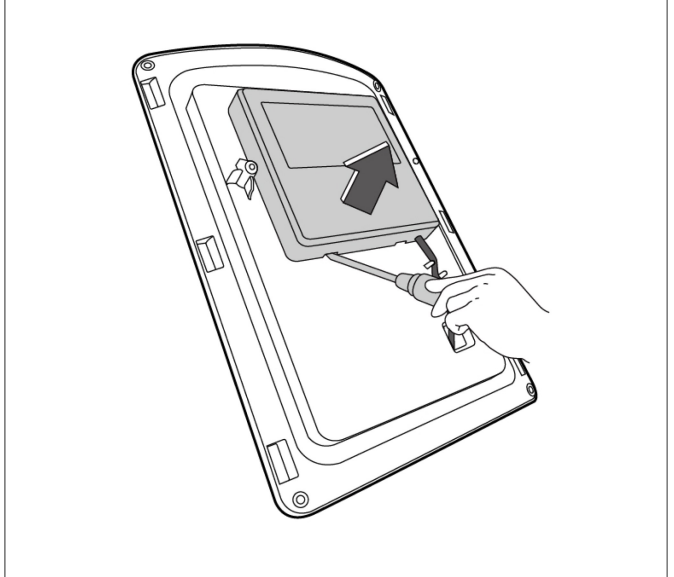
**IMPORTANT**

When following the instructions to remove display box, ensure not to apply unnecessary force. If applied, it may break the snap pins located on the display box and prevent it from assembling it back. Ensure to twist the screw driver softly and the box should open without any damage.

**Figure 4**

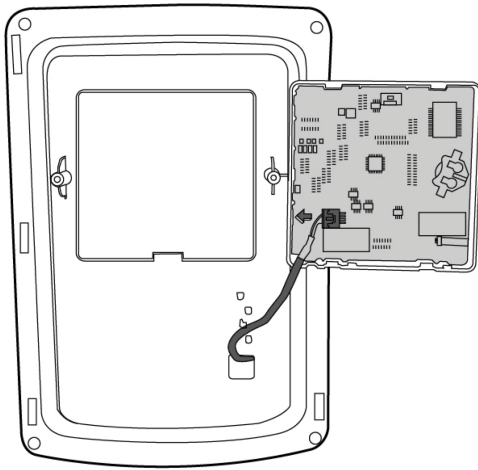


**Figure 5**

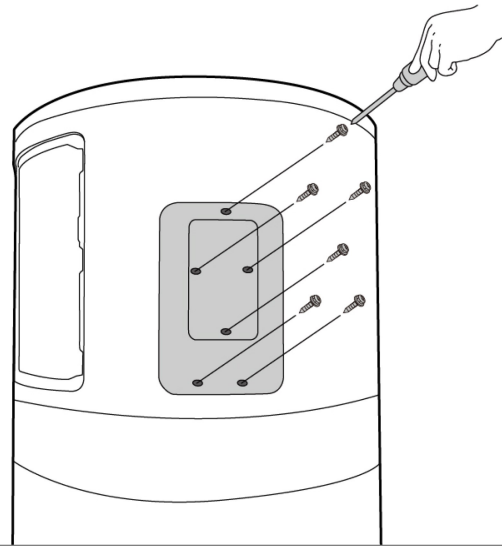


8. Disconnect the display board connector from the display board (Figure 6). Keep display box and display board safe to be reinstalled in step 23 & step 24.
9. Use a Phillips head screw driver to remove 6 screws securing the junction box cover and CTA 2045 cover (Figure 7). Keep these 6 screws safe to be reused in step 22.

**Figure 6**

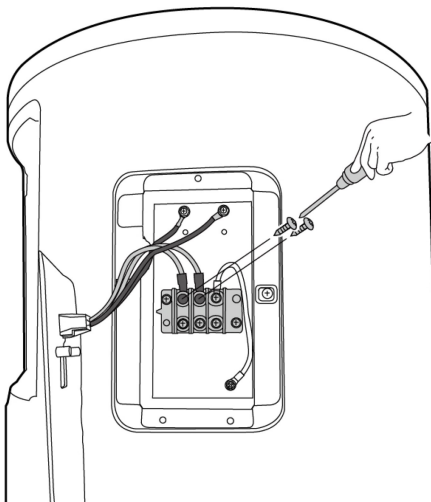


**Figure 7**

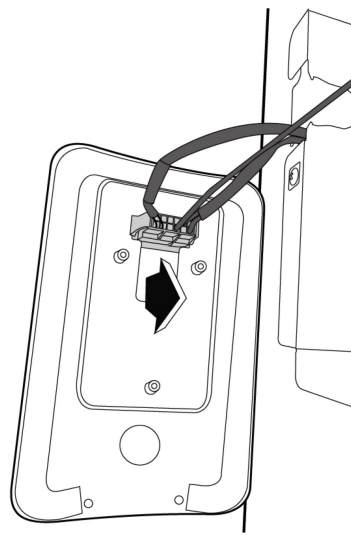


10. Use a Phillips head screw driver to remove 2 screws and release line L1 (black) and line L2 (white) (Figure 8). Disconnect power supply cable from the electrical breaker if needed. Keep removed 2 screws safe to be reinstalled in step 21.
11. Remove CTA2045 connector from the junction box cover (Figure 9). Keep junction box cover and CTA2045 cover secured to be reused in step 20.

**Figure 8**

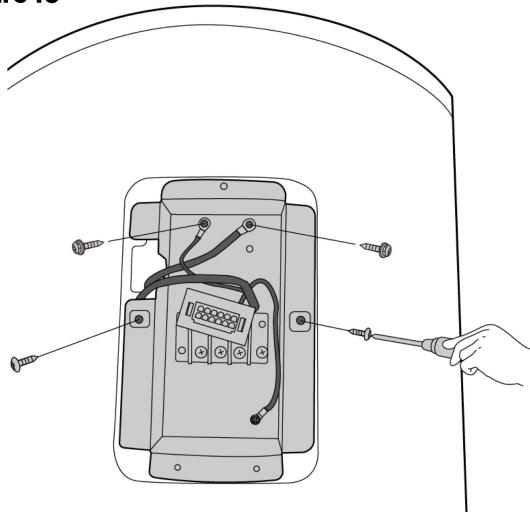


**Figure 9**

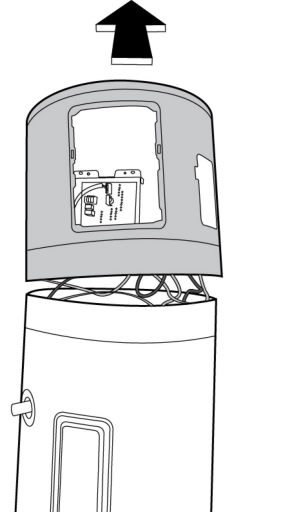


12. Use a Phillips head screw driver to remove 2 grounding screws and 2 screws securing junction box to the appliance (Figure 10). Keep the junction box safe to be reinstalled in step 19.
13. Carefully slide the top cover upwards to remove (Figure 11). Keep the top cover safe to be reinstalled in step 18.

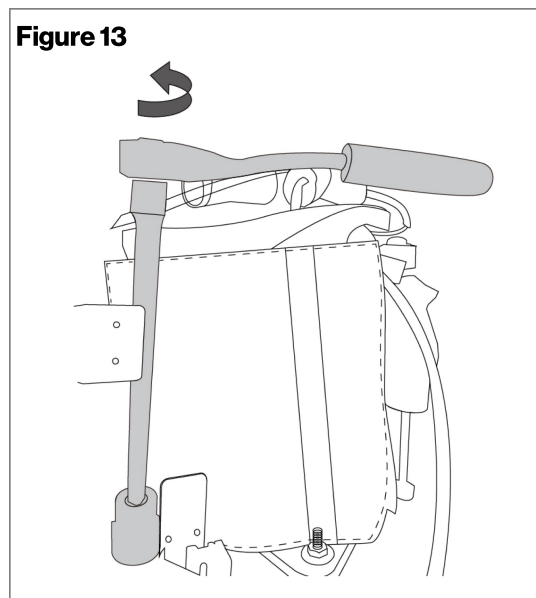
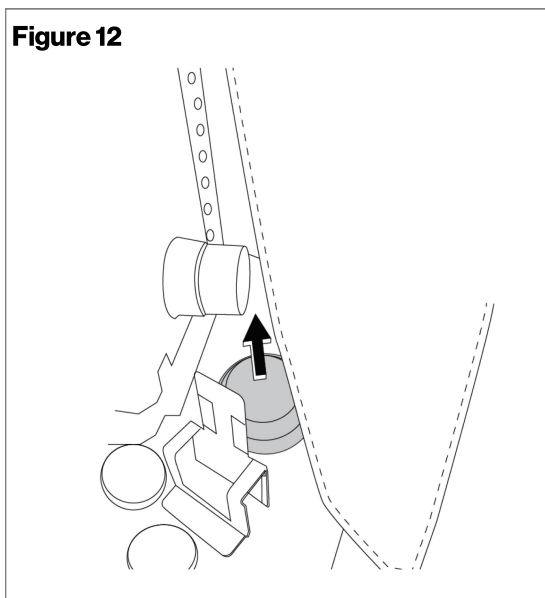
**Figure 10**



**Figure 11**



14. Locate the anode rod cover behind the compressor on the top side on the appliance (Figure 12). Remove the cover of the anode rod. If required, take off the insulation jacket of the compressor. Keep the cover safe to be reinstalled in step 17.
15. Use 1 inch socket wrench to remove anode rod from the appliance (Figure 13).



## Anode Rod Reassembly

16. Install new anode rod using 1 inch socket wrench (Figure 13). Apply thread sealant tape or pipe joint compound on the anode rod to prevent any water leakage.
17. Reinstall anode rod cover on the appliance. If removed in step 14, install back insulation jacket of the compressor (Figure 12).
18. Slide back the top cover on the appliance (Figure 11). Ensure to align the top cover to the appliance correctly so the cavity of the main control board on the top cover lines up with the main control board.
19. Reinstall grounding cables and junction box on the appliance (Figure 10).
20. Snap back the CTA-2045 connector on the junction box cover (Figure 9).
21. Mount back power supply cables, line L1 (black) and L2 (white) using 2 screws as shown in Figure 8.
22. Reinstall junction box cover and CTA 2045 cover using 6 screws (Figure 7).
23. Reconnect the display board connector (Figure 6).
24. Install back the display board on the display box rear cover (Figure 5).
25. Reinstall display box rear cover on the appliance using 4 screws (Figure 4).
26. Install back display box front cover on top of display box rear cover (Figure 3).
27. Secure top cover to the appliance using 6 screws (Figure 2).
28. Turn on the water by opening manual valves for the hot and cold water connections at the appliance. Allow the tank to refill before reconnecting power supply. Open faucet in the house to bleed out excessive air while filling up the tank.
29. Reconnect the electrical power supply by turning on the electricity at the circuit breaker.
30. Ensure that the appliance runs fine. May need to open one of the faucets in the house to fire up the appliance.

800000233(01)  
7/2024